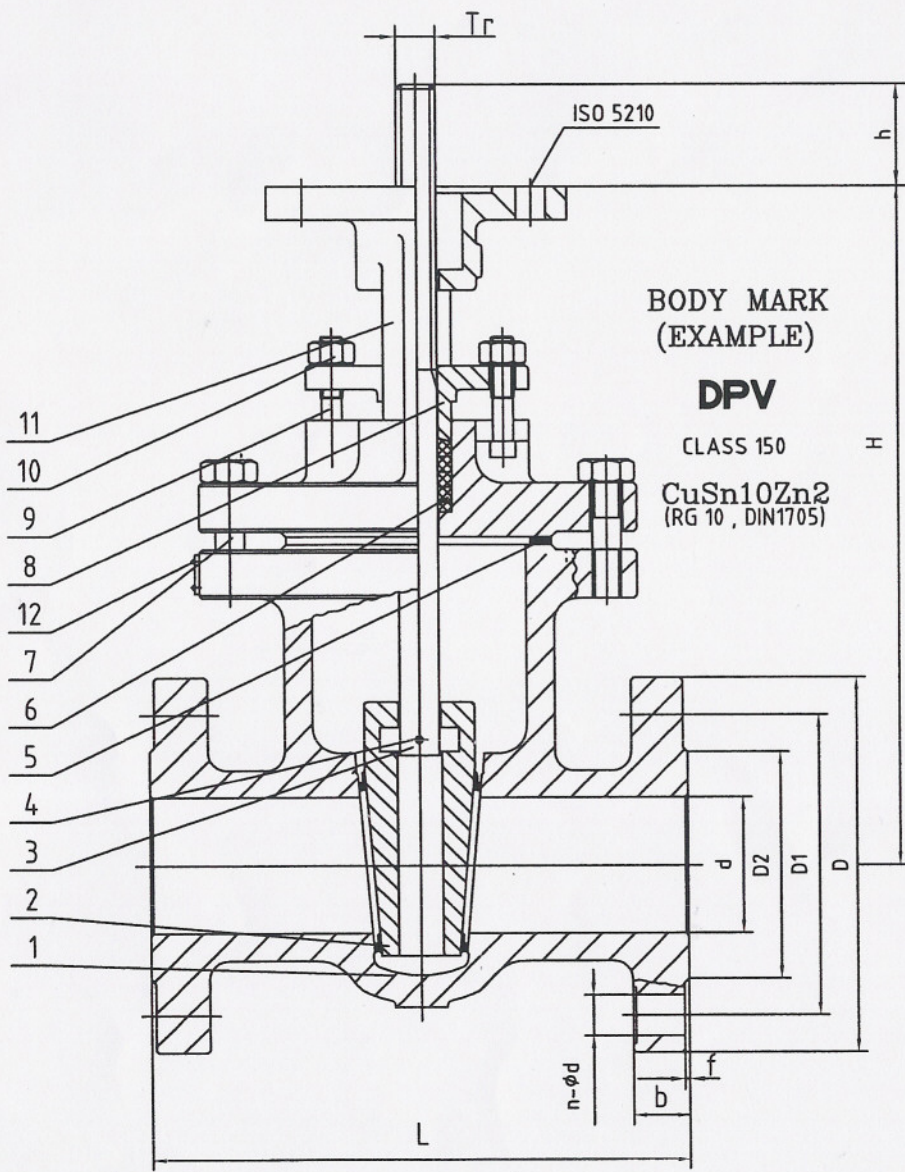


Q'TY	CLASS	SIZE	d	D	D1	D2	f	b	n-φd	L	H	h	Tr	ISO 5210	Torque (Nm)
3	150	5"	4.92	9.99	8.26	7.40	0.11	0.78	0.31-φ0.70	10.00	19.00	4.33	Tr24x5LH	F10	80
1		8"	7.87	13.38	11.61	10.55	0.11	0.94	0.31-φ0.86	11.00	27.00	4.33	Tr28x5LH	F14	200
1		10"	9.84	15.98	13.77	12.59	0.11	1.02	0.47-φ0.86	13.00	34.01	5.31	Tr28x5LH	F14	400

UNIT: Inch



**BODY MARK
(EXAMPLE)**

DPV
CLASS 150
CuSn10Zn2
(RG 10 , DIN1705)

DPV		BODY		CuSn10Zn2	
SIZE	8"	SEAT	BRONZE	DISC	CuSn10Zn2
CLASS	150	FIG.NO.	XXXXXXXXXXXXXX		

NO.	PART NAME	MATERIAL
12	NAME-PLATE	SS304
11	BONNET	CuSn10Zn2 (RG 10 , DIN 1705)
10	GLAND NUT	ASTM A194 8
9	GLAND EYEBOLT	ASTM A193 B8
8	GLAND FLANGE	CuSn10Zn2 (RG 10 , DIN 1705)
7	BONNET BOLT	ASTM A193 B8
6	STEM PACKING	PTFE
5	GASKET	PTFE
4	PIN	ASTM A276 316
3	STEM	ASTM A276 316
2	WEDGE	CuSn10Zn2 (RG 10 , DIN 1705)
1	BODY	CuSn10Zn2 (RG 10 , DIN 1705)

DESIGN	BS 1873	CLASS	150
END FLGD	ANSI B 16.5	HYDROSTATIC	SHELL 450
FACE TO FACE	ANSI B16.10	TEST (BAR)	SEAT 315
TEST	API 598	AIR TEST (BAR)	8
APP'D BY	R.J.LIZA	DWG'D BY	S.J.LYNDIA
REVIEW BY	M.POULUS	DRAWING NO.	GT-A0150-5-8-10-C90500-BO

GATE VALVE; BB.OS&Y.BARE SHAFT.-CLASE 150



DELTA PACIFIC VALVES

VER.
C