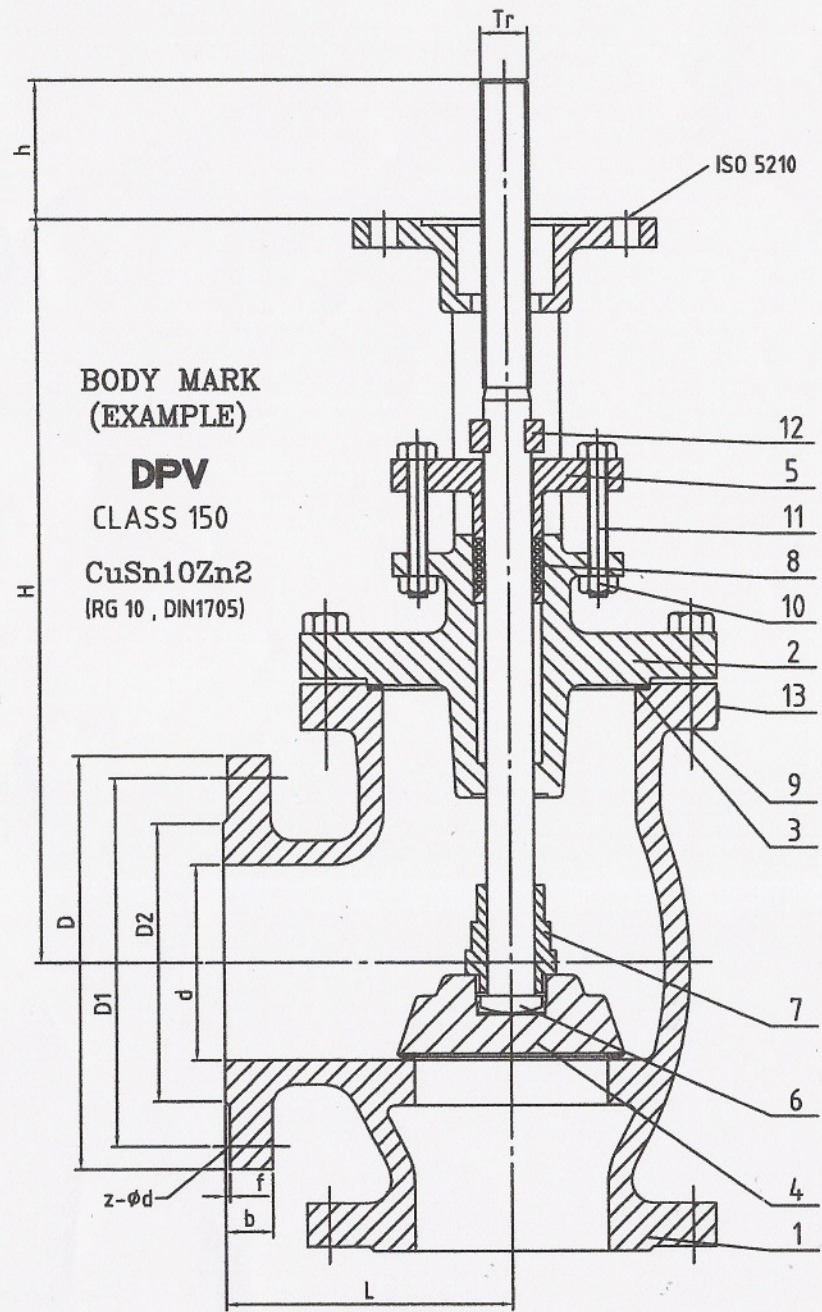


Q'TY	CLASS	SIZE	d	D	D1	D2	f	b	n- ϕ d	L	H	h	Tr	ISO 5210	Torque (Nm)
7	150	8"	7.87	13.38	11.61	10.55	0.11	0.94	0.31- ϕ 0.86	9 $\frac{3}{4}$	19.00	4.72	Tr40x6LH	F14	400

UNIT: Inch



**BODY MARK
(EXAMPLE)**

DPV
CLASS 150
CuSn10Zn2
(RG 10 , DIN1705)

DPV		BODY	
SIZE	SEAT	CuSn10Zn2	CuSn10Zn2
CLASS	FIG. NO.	150	XXXXXXXXXXXXXXXXXX

NO.	PART NAME	MATERIAL
13	NAME-PLATE	ASTM B209-1100
12	STOPPING PLATE	CuSn10Zn2 (RG 10 , DIN 1705)
11	GLAND STUD BOLT	ASTM A307 B+Zn
10	NUT	ASTM A563 A+Zn
9	BONNET STUD BOLT	ASTM A307 B+Zn
8	STEM PACKING	PTFE
7	DISC NUT	CuSn10Zn2 (RG 10 , DIN 1705)
6	STEM	ASTM B124 C37700
5	GLAND FLANGE	CuSn10Zn2 (RG 10 , DIN 1705)
4	DISC	CuSn10Zn2 (RG 10 , DIN 1705)
3	BONNET GASKET	PTFE
2	BONNET	CuSn10Zn2 (RG 10 , DIN 1705)
1	BODY	CuSn10Zn2 (RG 10 , DIN 1705)

DESIGN	BS1873	CLASS		150
END FLGD	ANSI B 16.5	HYDROSTATIC	SHELL	450
FACE TO FACE	ANSI B 16.10	TEST (BAR)	SEAT	315
TEST	AQPI 598	AIR TEST (BAR)		8
APP'D BY	R.J.LIZA	DWG'D BY	S.J.LYNDA	
REVIEW BY	M.POULUS	DRAWING NO.	AGB-A0150-8-C90500-BO	

ANGLE PATTERN GLOBE VALVE BARE SHAFT. -CLASS 150LB



DELTA PACIFIC VALVES

VER.
C