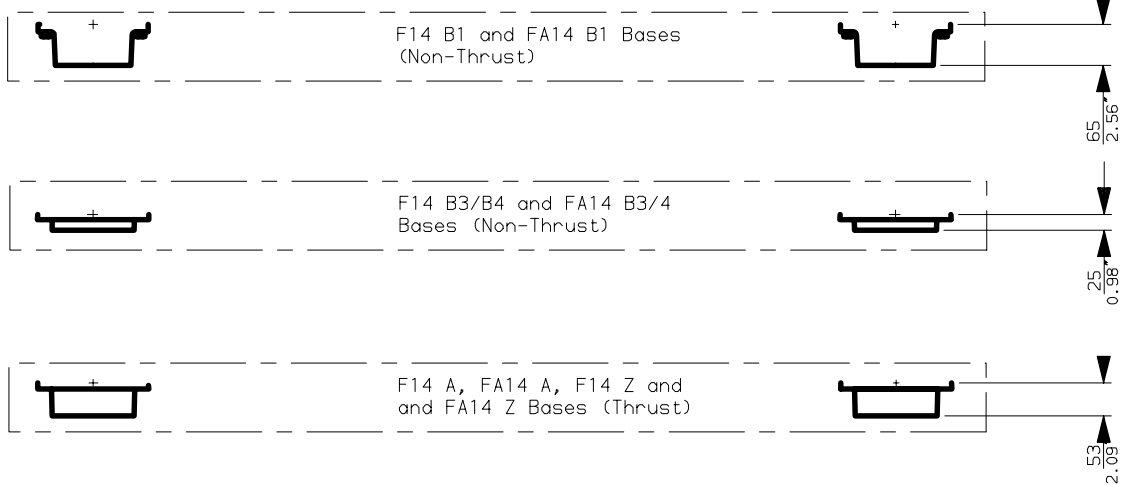
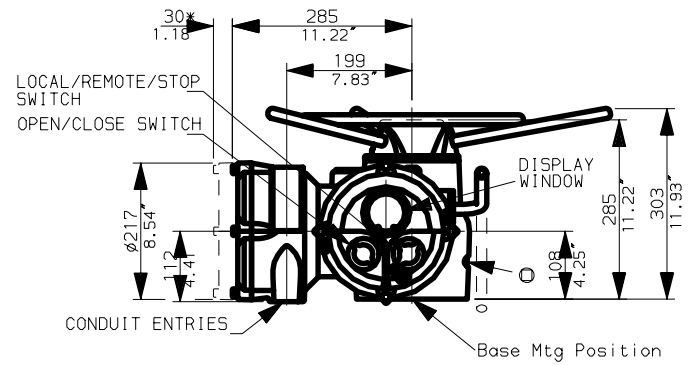
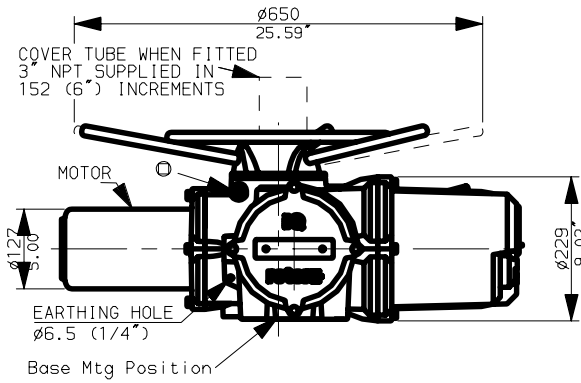
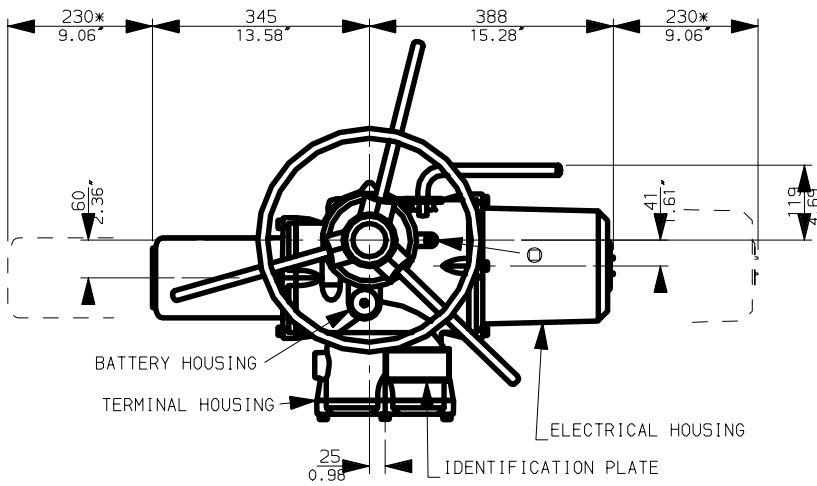
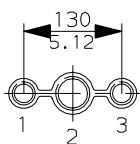


IQ20-25 WITH
STANDARD HANDWHEEL



CONDUIT ENTRIES



Nos.1 & 3 TAPPED 1" NPT
No.2 TAPPED 1 1/2" NPT
STANDARD ALTERNATIVES IF SPECIFIED
2 X M25, 1 X M40
2 X PG16, 1 X PG29

NOTES

Three BASE options are detailed to suit the relevant Coupling arrangement. The required BASE for the SIDE & END views should be loaded to position indicated.

rotork	Rotork Controls Ltd. Bath, England BA1 3JU Bath (01225) 733200
	IQ20 (THW) DATA
Date 090500	Scale 1:12